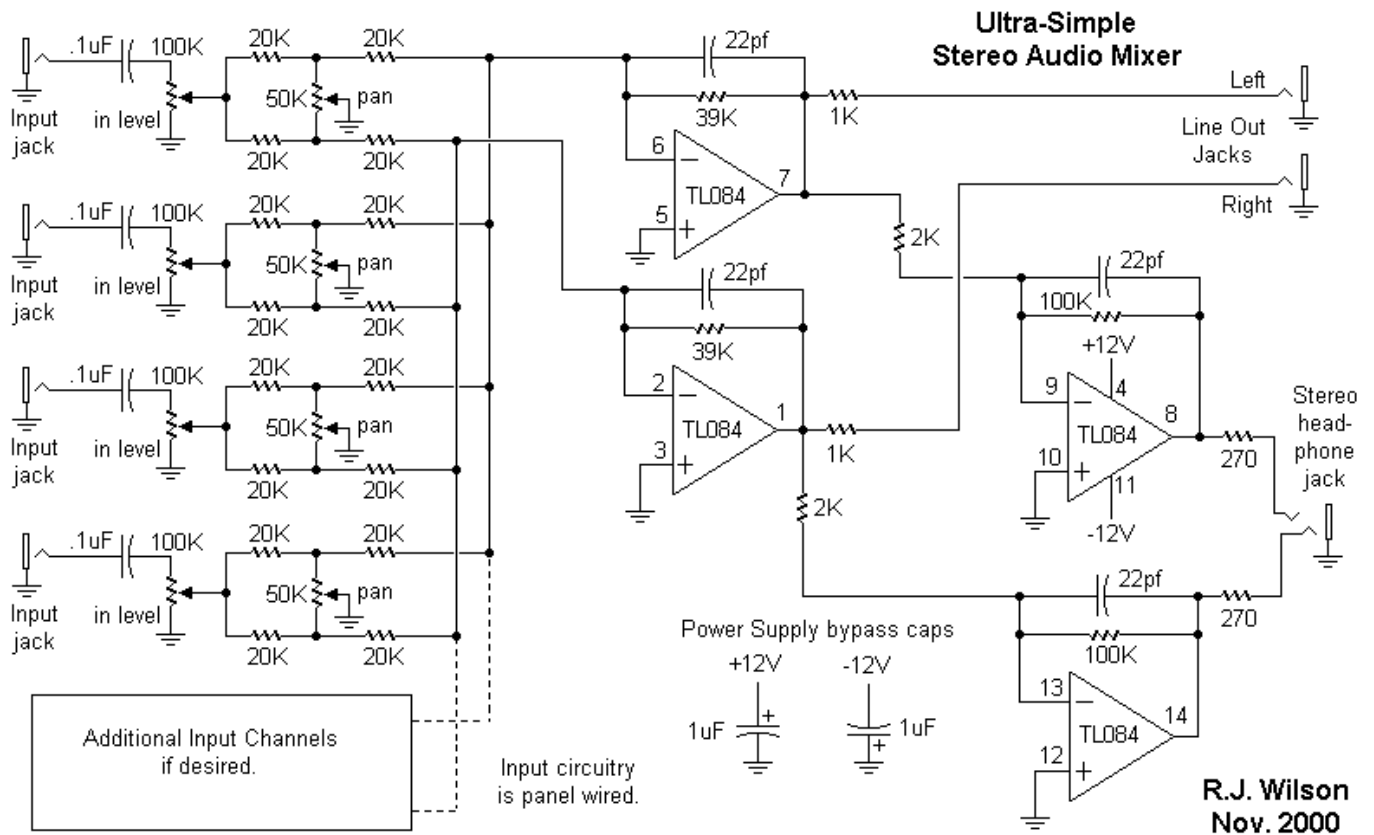


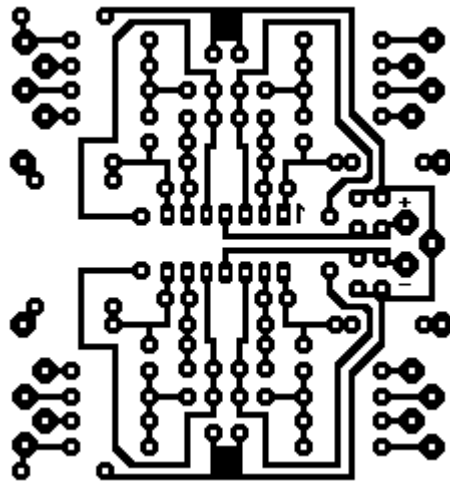
Ultra-Simple Mono-in Panning Mixer

Here is the schematic, PC board layout, and parts placement. Always breadboard first! Have fun.

Ultra-Simple Mono-in Panning Mixer Circuit Schematic



Ultra-Simple Mono-in Panning Mixer PCB Layout (component side shown)



Ultra-Simple Mono-in Panning Mixer Parts Layout

Simple Stereo Mixer

